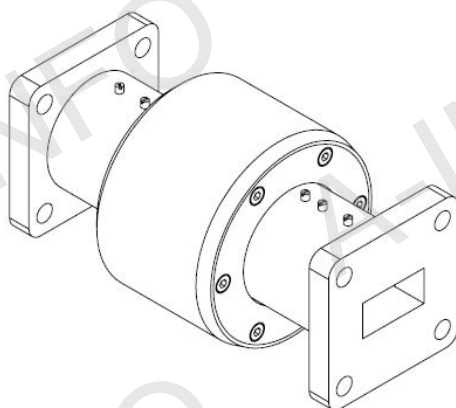
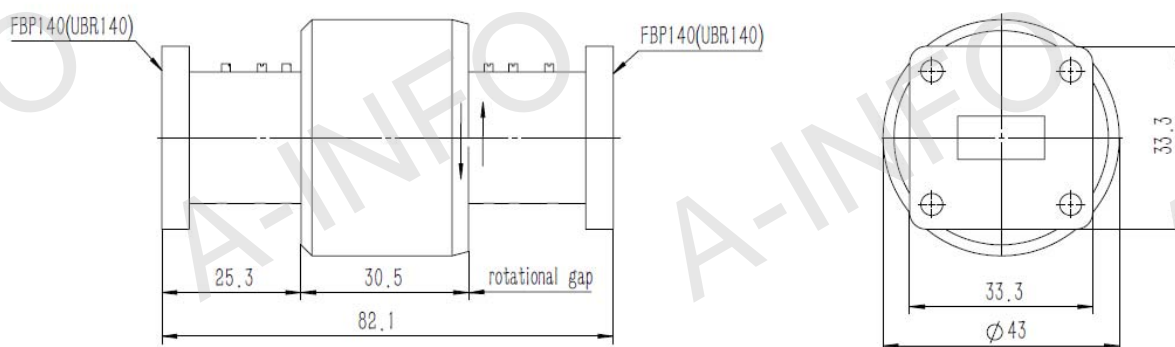


Technical Specification

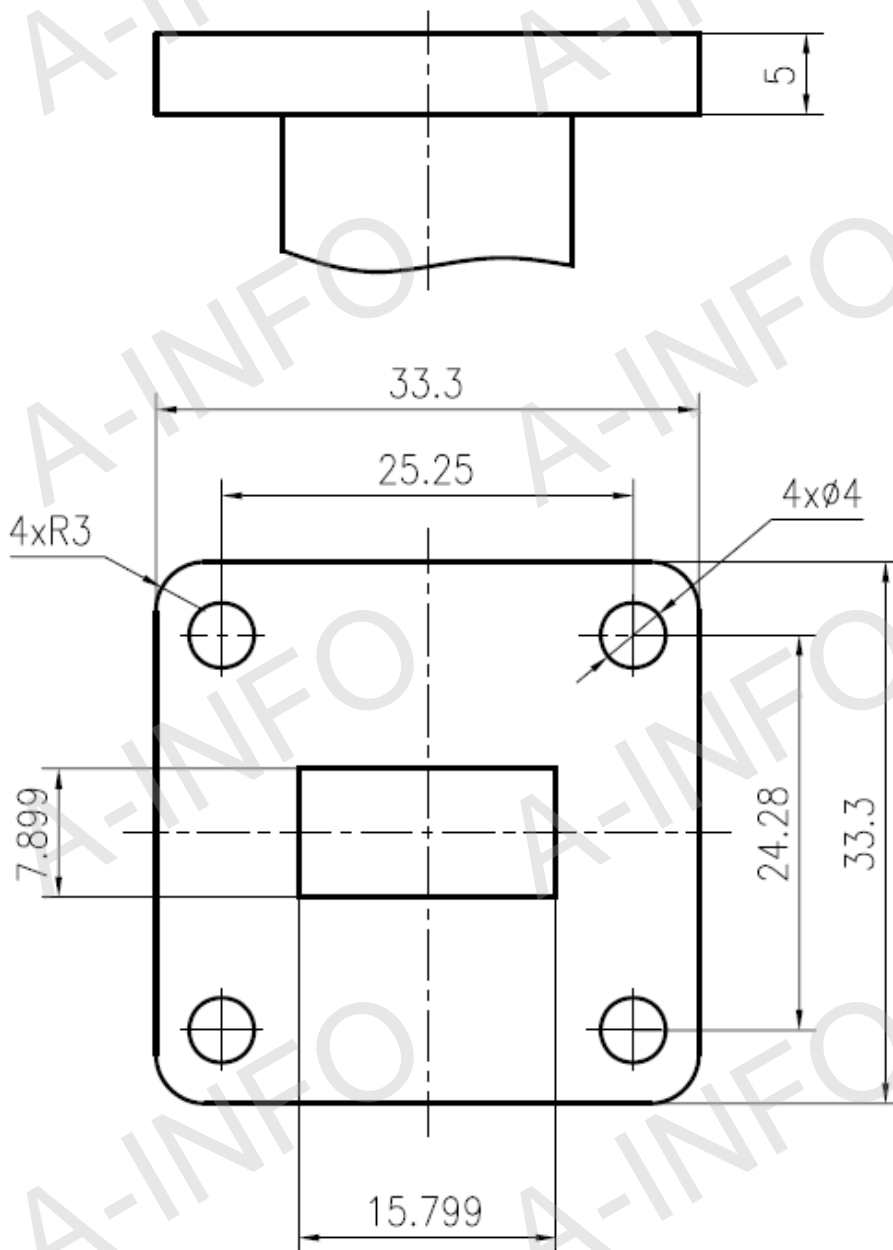


EIA WR	WR62
Frequency Range(GHz)	16.0 - 17.0
Insertion Loss(dB)	0.4 Max.
VSWR	1.3:1 Max.
Average Power(W)	100
Peak Power(KW)	4
Flange	FBP140(UBR140)
Material	Al
Size(mm)	82.1 x 43 x 43
Net Weight(Kg)	0.25 Around

Outline Drawing (Size: mm)



Flange Drawing (Size: mm)



FBP140

Test Results

Insertion Loss & VSWR

CH1 S11 SWR 200 m / REF 1 5: 1.0381 17.000 000 000 GHz
 CH2 S21 LOG 5 dB / REF 0 dB 5: -.15200 dB
 CH4 S22 SWR 200 m / REF 1 5: 1.0296

